

THIS DRAWING IS UNPUBLISHED.

RELEASED FOR PUBLICATION

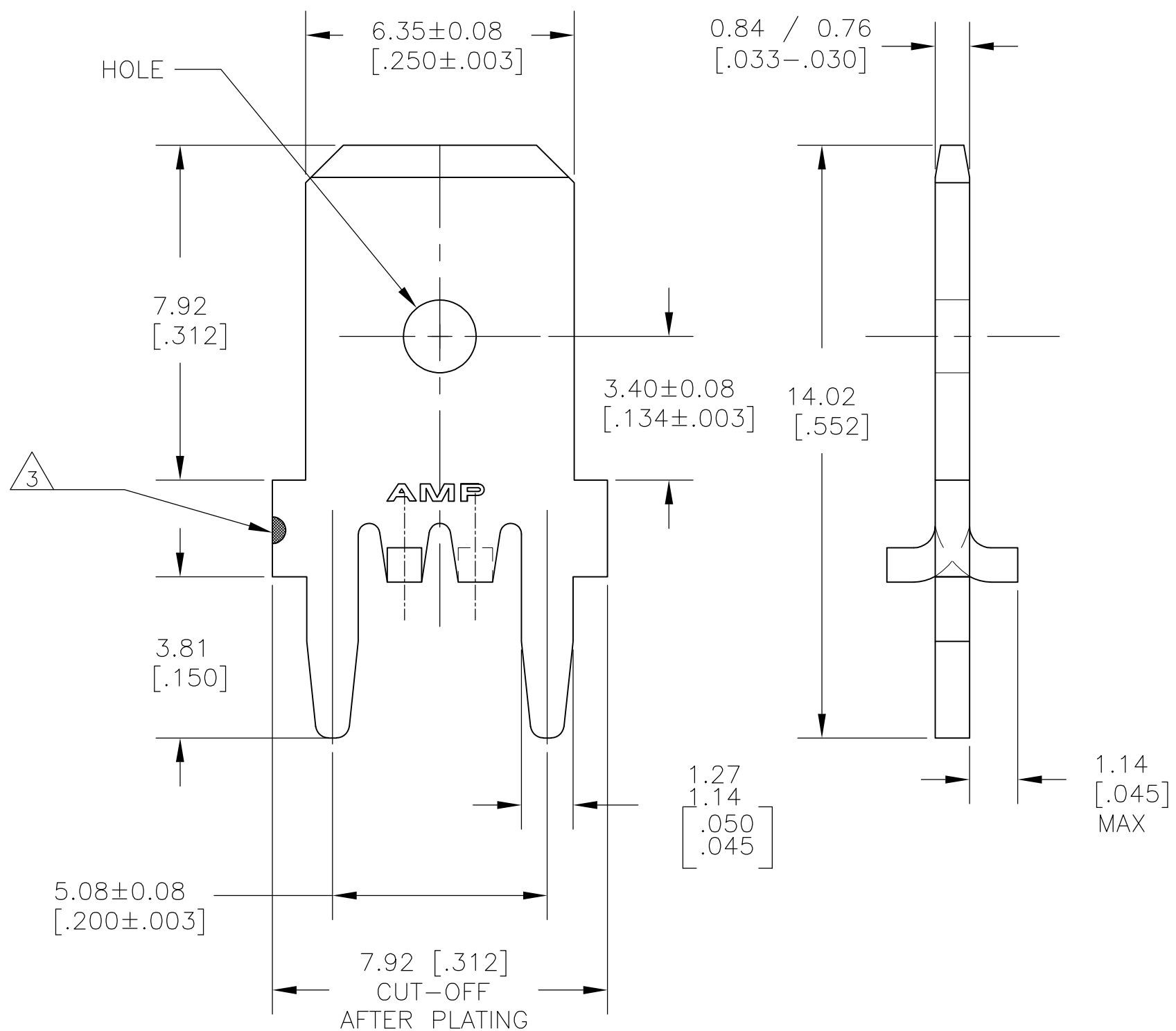
ALL RIGHTS RESERVED.

© COPYRIGHT - By -

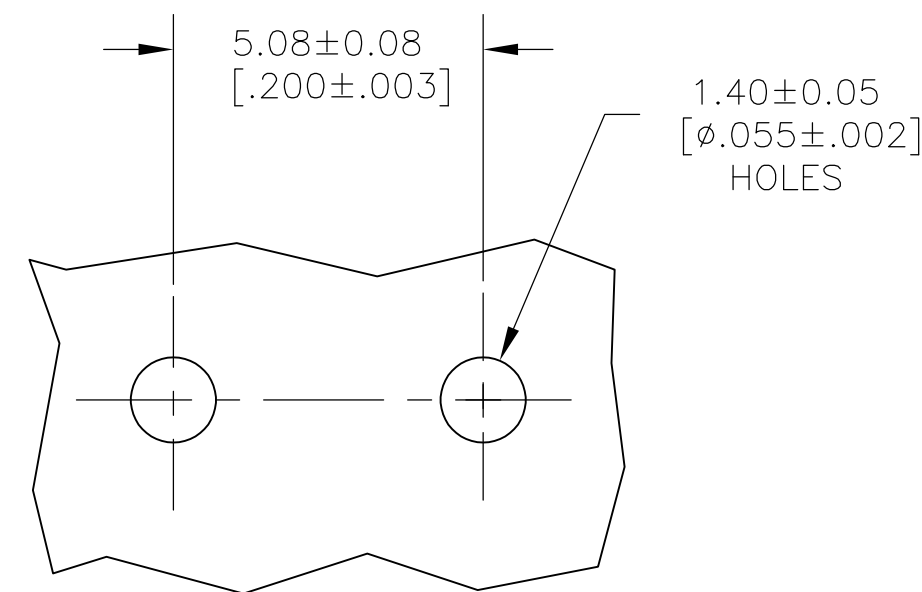
LOC AF DIST 50

REVISIONS

P	LTR	DESCRIPTION	DATE	DWN	APVD
F1		REVISED PER ECO-13-012990	13AUG13	JR	PD



- 1 SUPPLIED IN LOOSE PIECE
- 2 TIN PLATE 0.00381 [.000150] MIN OVER 0.00254 [.000100] MIN THK COPPER OR TIN PLATE 0.00381 [.000150] MIN OVER 0.00127 [.000050] MIN NICKEL PL.
- 3 OPTIONAL ID MARK, LOCATED APPROX AS SHOWN.



P.C. BOARD HOLE PATTERN

63824-1	63849-1
STRIP PART NO.	PART NO.

THIS DRAWING IS A CONTROLLED DOCUMENT.		DWN JR RUTH 20FEB01	TE Connectivity NAME TAB, FASTON, P.C.BOARD 6.35 [.250]				
DIMENSIONS: mm [INCHES]		CHK MS FEHER 20FEB01				APVD N DEIBERT 20FEB01	RESTRICTED TO
TOLERANCES UNLESS OTHERWISE SPECIFIED:		PRODUCT SPEC				SIZE	
0 PLC ± - 1 PLC ± - 2 PLC ± 0.25 [.010] 3 PLC ± - 4 PLC ± - ANGLES ± -		APPLICATION SPEC				CAGE CODE	
MATERIAL BRASS		FINISH 2		DRAWING NO			
		WEIGHT -		A3 00779 C-63849			
		CUSTOMER DRAWING		SCALE 8:1	SHEET 1 OF 1		
				REV F1			